

# Data sheet

## Climatic Chamber KK 1200



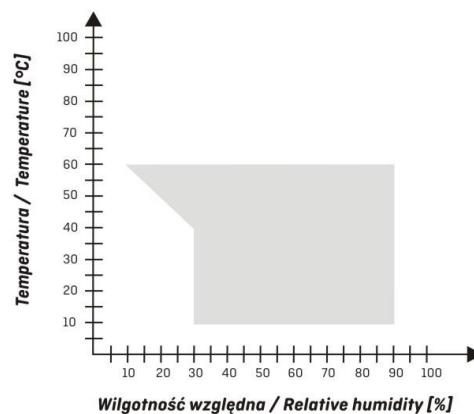
The photo above is for reference only, may show additional options not included in standard equipment.  
The real appearance, particularly color and structure of the material may differ from the ones presented in the photo.

### TECHNICAL DATA

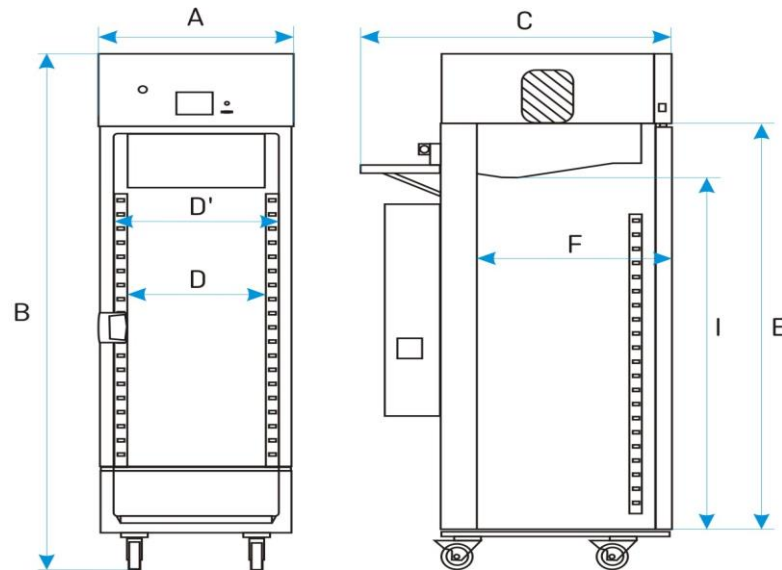
air convection	forced
chamber capacity [l]	1365
working capacity [l]	1229
controller	microprocessor with external LCD graphic display

### TEMPERATURE AND HUMIDITY

temperature range [°C]	-10...+60
temperature resolution every ... [°C]	0,1
relative humidity range [%]	30...90 (see chart for details)
humidity resolution every ... [%]	1,0
over temperature protection	class 3.3 to DIN 12880



CHAMBER	
door type	double (external solid, internal glass) / external glass (option)
<b>interior</b>	
STD	acid-proof stainless steel to DIN 1.4301
INOX/G	acid-proof stainless steel to DIN 1.4301
<b>housing</b>	
STD	powder coated sheet
INOX/G	stainless steel linen finish
<b>overall dims [mm] /1/</b>	
width A	1460
height B	1990
depth C	1070
<b>internal dims [mm]</b>	
width D	1310
width D'	1310
height E	1510
depth F	690
height I	1360



shelves (standard / max)	2 x 3 / 11 (8)
max shelf workload [kg] /2/	30
- reinforced shelf version (PW) /3/	100
max unit workload [kg]	300
weight [kg]	220

**ELECTRICAL PARAMETERS**

voltage*	230V 50Hz
nominal power [W]	2200
warranty	24 months
manufacturer	POL-EKO-APARATURA

all the above technical data refer to standard units (without optional accessories)

\* - 230V 60Hz, 115V 60Hz also available

1 - external dimensions for units without FIT option, depth doesn't include 50 mm of power cable

2 - on uniformly loaded surface

3 - reinforced shelf

**OPTIONS AND ACCESSORIES**

