

Data sheet

Climatic Chamber with Phytotron System KK 700 FIT P



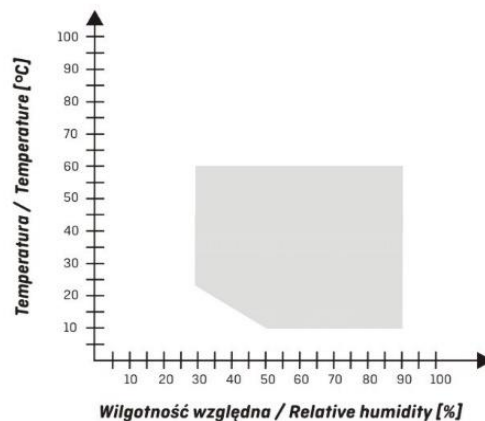
The photo above is for reference only, may show additional options not included in standard equipment.
The real appearance, particularly color and structure of the material may differ from the ones presented in the photo.

TECHNICAL DATA

air convection	forced
chamber capacity [l]	625
working capacity [l]	423
controller	microprocessor with external LCD graphic display

TEMPERATURE AND HUMIDITY

temperature range [°C]	-10...+60 (with light on +10...+50)
temperature resolution every ... [°C]	0,1
relative humidity range [%]	30...90 (see chart for details)
humidity resolution every ... [%]	1,0
over temperature protection	class 3.3 to DIN 12880



CHAMBER

door type double (external solid, internal glass) / external glass (option)

interior

STD acid-proof stainless steel to DIN 1.4301

INOX/G acid-proof stainless steel to DIN 1.4301

housing

STD powder coated sheet

INOX/G stainless steel linen finish

overall dims [mm] /2/

width A 730

height B 2000

depth C 1070

internal dims [mm]

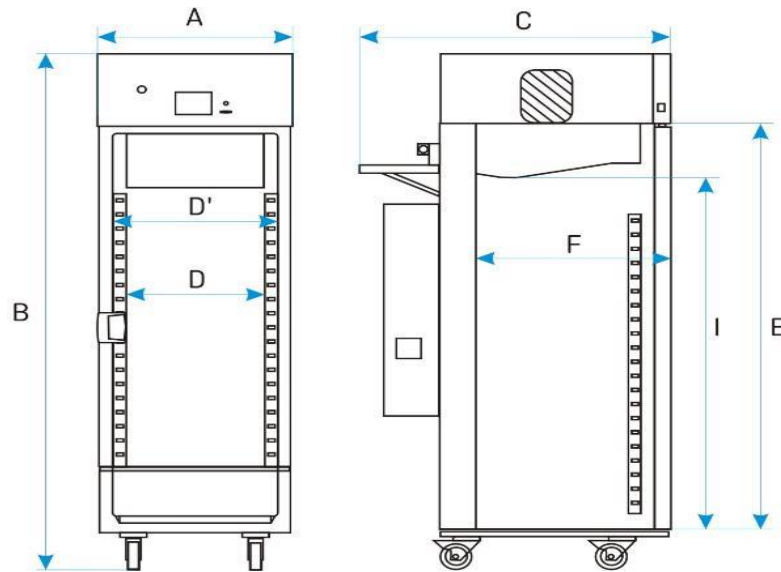
width D 600

width D' 600

height E 1510

depth F 690

height I 1360



shelves (standard / max) 3 / 11

max shelf workload [kg] /2/ 30

- reinforced shelf version (PW) /3/ 100

max unit workload [kg] 150

weight [kg] 170

ELECTRICAL PARAMETERS

voltage*	230V 50Hz
nominal power [W]	2000
warranty	24 months
manufacturer	POL-EKO-APARATURA

all the above technical data refer to standard units (without optional accessories)

* - 230V 60Hz, 115V 60Hz also available

1 - external dimensions for units without FIT option, depth doesn't include 50 mm of power cable

2 - on uniformly loaded surface

3 - reinforced shelf

OPTIONS AND ACCESSORIES

